

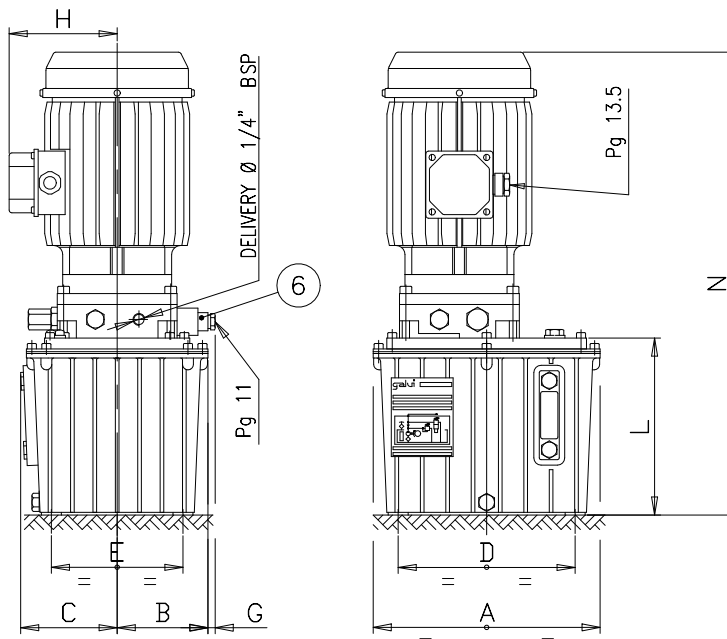
GALVI HYDRAULIC UNIT *MINHYD*[®] FOR CALIPERS *WEDCAL-ACT* AND *PC-ACT*



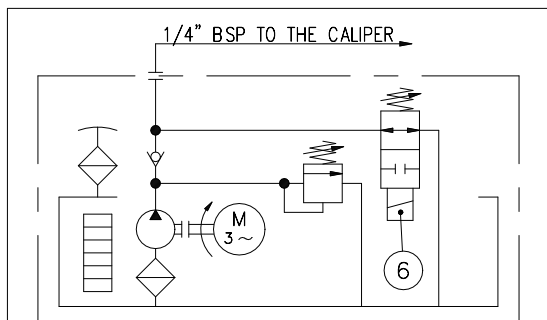
MINHYD - TECHNICAL DATA SHEET

MINHYD-01

GALVI *MINHYD*[®] power packs are specifically designed to operate *WEDCAL-ACT* and *PC-ACT* Calipers. The physical dimensions of these Units are compact and also provide the advantage of installation remote from the Caliper. One *MINHYD*[®] power pack can operate two or more Calipers, thus offering substantial saving in initial and running costs. Power packs, fitted with accumulator will, apart from reduced running cost, facilitate the opening of one or more Calipers for a prolonged time without the motor running.



MINHYD 0542; 0863



⑥ ELECTROMAGNETIC VALVE: Protection IP 65
12 V DC; 24 V DC; 24 V AC; 110 V AC; 230 V AC
Max Power Consumption 35 W ED 100%

POWER PACK TYPE	WORKING PRESSURE (bar)	MOTOR IP.55 4 poles (kW)	RESERVOIR CAPACITY (cm ³)	ACCUMULATOR CAPACITY		CYLINDERS OPERATED SIMULTANEOUSLY				A	B	C	D	E	F	G	H	L	M	N	MASS WITHOUT OIL (kg)
				RATED (cm ³)	USEFUL (cm ³)	ACT1	ACT2	ACT3	ACT4												
MINHYD-0542	75	0.75	10000	-	-	2	1	1	-	280	100	106	210	130	-	8	115	197	-	483	14
MINHYD-0863	75	1.10	10000	-	-	4	2	1	1	340	124	130	250	170	-	-	140	239	-	575	22