

# GALVI CALIPERS *SLDU-060*

## HYDRAULICALLY OPERATED EMERGENCY CALIPERS



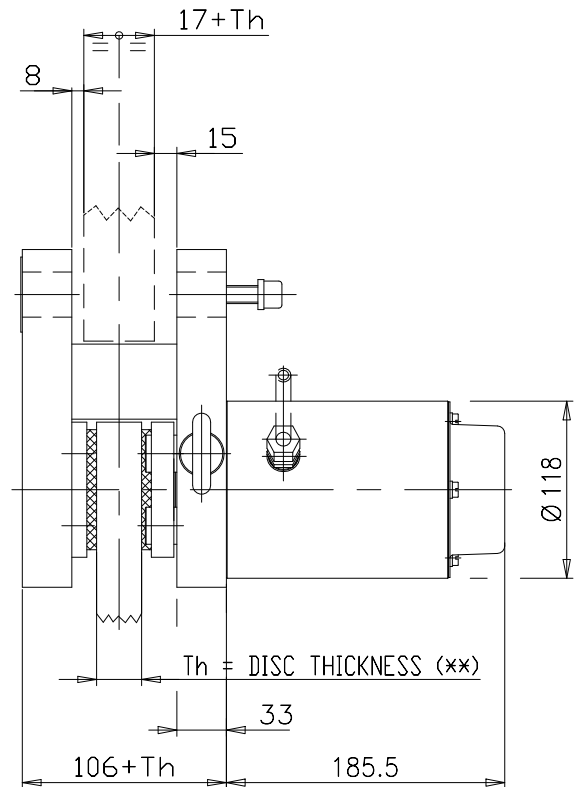
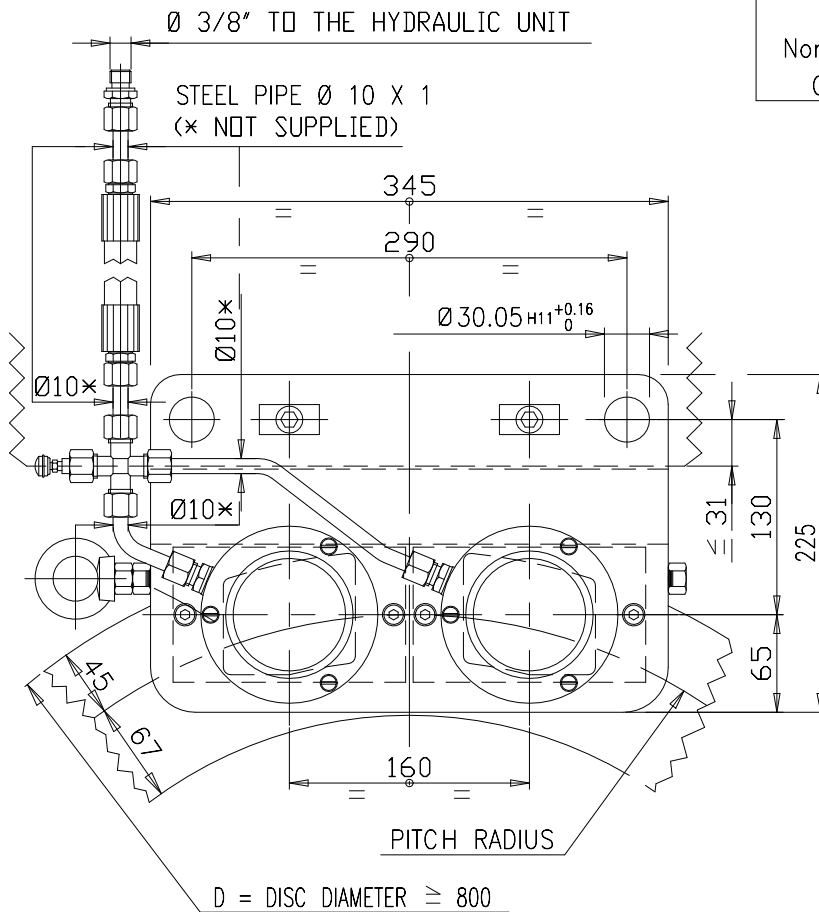
### SLDU-060 - TECHNICAL DATA SHEET

SLDU-02

The GALVI *SLDU* Calipers have been specially designed for static applications or for a limited emergency dynamic use on discs with max peripheral speed of 7 m/s. Closing is actuated by a set of disc springs while opening is performed at a hydraulic pressure of 110 bar. Thanks to their special features these Calipers can be adapted to any disc thickness, moreover they also allow small axial displacement of the disc, thus also ensuring perfect balance of the forces exerted on the brake pads. These Calipers can be operated by the GALVI *EMEHYD*® hydraulic units equipped with accumulator.

**BRAKING FORCE = 6000 daN**

WORKING PRESSURE 110 ÷ 130 bar  
 MASS = 79 kg - (with standard "Th" = 30 mm)  
 (\*\*) Th = to be specified when ordering  
 Nominal stroke (of cylinder opening) = 1,20 mm  
 Oil volume (with nominal stroke) = 10,4 cm<sup>3</sup>



BRAKING TORQUE = BRAKING FORCE · PITCH RADIUS / 1000 [daN·m]

#### CHARACTERISTICS OF DISC AND SUPPORT

#### EXAMPLE OF SUPPORTS SUPPLIED UPON REQUEST

